

Double pole terminal WBT-0730

The high current terminal for power transmission

WBT

WBT-0730 E

- Signature platinum
○ Signature gold
○ Standard gold



Double pole terminal WBT-0730

High-current double pole terminal for cabinet mounting

Made in Germany for cables up to 6.0 mm² (10 AWG) Design Patent

A precise functionality of the best measuring instruments can only be achieved if the necessary contacting components are of the equivalent state-of-the-art. The pole terminal WBT-0730 offers the best qualifications hereto through its ingenious mechanics.

WBT-0730 is available in 3 versions:

- WBT-0730.01** Standard gold
- WBT-0730.11** Signature gold
- WBT-0730.12** Signature platinum

All three models guarantee an outstanding contact quality and security. Moreover, the surface of the Signature terminals is highly compressed which enables a direct surface refinement with gold respectively platinum. Thanks to this the WBT Signature products feature clearly decreased transition resistance, high conduction of current and excellent corrosion resistance.

Termination options

WBT-0730 is perfectly designed to accept 4-mm banana plugs in the front part of its adjusting nut. Thanks to WBT's patented adjusting nut system also spade lugs as well as crimped cable ends up to 6 mm² (10 AWG) can be clamped very effectively in the WBT-0730.

Especially the free running compression pad of the two-pieces adjusting nut construction insures constant contact pressure. Its cross-milled surface furthermore prevents from shearing the cable strands in case bare wire is used.

Internal termination

WBT-0730 adopts cables up to 10 mm². Recommended cable connection: crimp technique. Cable ends can be perfectly fastened by the means of Torx* screw and Torx T.6 screwdriver supplied with the pole terminal. If soldering is chosen, WBT recommends application of the silver solder WBT-0800 which is gentle on precious metal surfaces.



For bi-wiring:

If you want to use your WBT-0730 for bi-wiring in combination with the Power Bridges WBT-0725, the terminals need to be installed separately without the connection bracket at a minimum distance of 30 mm (from center to center). The distance to the second pair of terminals needs to be 60 mm exactly.

*Torx is a registered trademark of Camcar Textron, USA

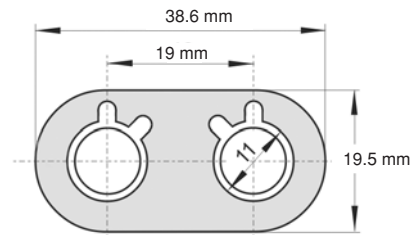
Build-in constructions

The pole terminals WBT-0730 are suitable for mounting on measuring and gain control amplifier as well as transducer with wall thickness up to 6.5 mm*. You can mount your WBT-0730 whether with the connection bracket or separately (without the bracket).

– with connection bracket

Narrow position of the terminals with just 19 mm distance from one terminal center to the next. Recommended in case 19-mm double bananas are used. At this distance the black puzzle plates can be clipped together. This new WBT build-in conception protects your WBT-0730 reliably from rotation.

- drill hole of 11.0 mm dia., with 2.5 x 2 mm nut for twist protection
- part which stand out of panel: 33 mm



drilling scheme (original size)

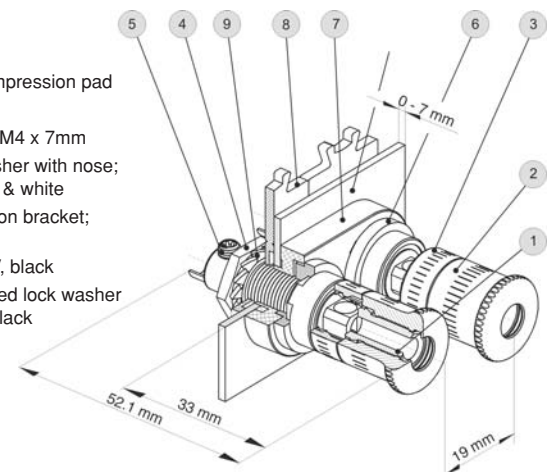
– separately, without the bracket

If you mount them separately, you are free to choose any distance. WBT suggests a distance of 30 mm, since the black puzzle plates can be clipped together in this case. This new WBT build-in conception protects your WBT-0730 reliably from rotation. Also if this way of mounting is chosen the terminals will be insulated to the cabinet.

- drill hole of 11.5 mm dia., with nut 2.5 x 2 mm for twist protection
- part which stands out of the panel: 28 mm
- the single terminal can be installed in steps of 45°

* For mounting in solid cabinets the Mounting kit WBT-0716 is recommendable. For its application a blind hole in the chassis is necessary.

- (1) Base element
- (2) Adjusting nut
- (3) free-running compression pad
- (4) Counternut
- (5) Torx screw; Ms, M4 x 7mm
- (6) Double step washer with nose; PA, 4.6 mm, red & white
- (7) 19-mm connection bracket; PA, red & white
- (8) Puzzle plate; PV, black
- (9) additional serrated lock washer (optional); PC, black



Operating features

- constant current $I_D > 200 \text{ A}$
- peak current $I_S > 2000 \text{ A}$
- contact resistance (Signature) $R_{\bar{u}} \leq 0.07 \text{ m}\Omega$
- contact resistance (Standard gold) $R_{\bar{u}} \leq 0.1 \text{ m}\Omega$

Instructions: The pole terminal WBT-0730 is only permitted for low voltage application.

110.730 E 01/2005

Printed in Germany

Detailed product information available.
Design and specifications subject to change without notice.
© WBT-Distribution GmbH · Im Teelbruch 103 · 45219 Essen · Germany
Tel.: +49 (0) 2054 87 552-0 · Fax: +49 (0) 2054 87 552-22
e-mail: info@wbt.de · Internet: www.wbt.de